

**Play value**

This special **instrument** invites people to make music by playing the keys. It is available in two versions: the diatonic version is better suited to playing known melodies, while the pentatonic version is a motivation for free improvisation. This attractive play equipment is an appealing enhancement for any park and can serve as the exciting central feature of a play space.

With their different lengths of tubes, the **Sound Wall** represents a real musical instrument, and various different scales can be played on it. Several metal bars form the support for our sound tubes. You can create musical notes by hitting them with a beater. People of all ages enjoy coaxing sounds out of objects. That is the reason the Sound Wall is equally attractive to young and old.

**Fundamental characteristics**

- unique and original
- incentive for playing: curiosity, percussion keys, sound elements
- experiencing sound, making music
- exercise activity: beating

**Suitable**

- for all age groups from 4 years
- for public places (i.e. pedestrian areas, waiting areas of stations and bus stations, courtyards)
- play areas for people with special needs
- leisure parks
- for public institutions (i.e. kindergartens, day-care facilities for children, schools)
- public and office buildings

**Barrier-free**

- independent play



Order No. 9.06710 Sound Wall



Order No. 9.05500/9.05510 Instrument

**Instrument  
Sound Wall**

Acoustic effect	medium
Vandalism	not vulnerable

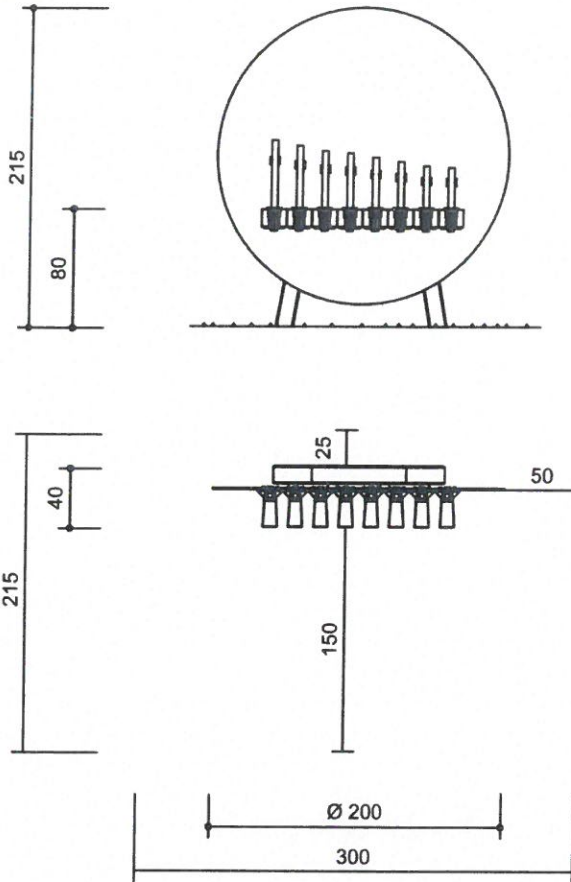


9.05500/9.05510

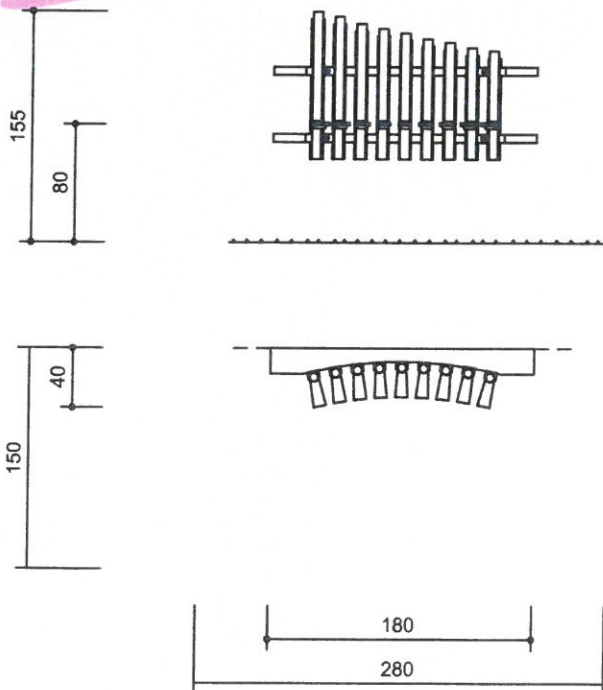


9.06710

**Order No. 9.05500  
Instrument**



**Order No 9.06710  
Sound Wall**



**Technical information**

**Order No. 9.05500/9.05510 Instrument**  
equipment made of stainless steel, sanded sound tubes of hot-dip galvanised, weldless steel, mounted in stainless steel profiles  
percussion mechanism is dampened by robust rubber buffers  
percussion keys made of anodise aluminium

**Order No. 9.06710 Sound Wall**  
sound tubes of hot-dip galvanised, weldless steel, mounted in varnished U-profiles

tuned to a pentatonic scale (in groups)

percussion mechanism is dampened by robust rubber buffers in every direction

percussion key made of oak (strong and hard)

**core-free timber**

wall attachment made of sawn timbers core-free, thus decreasing occurrences of cracking, made of non-impregnated mountain larch, selected according to eight quality criteria



**Dimensions**

(small deviations possible)

**Order No. 9.05500/9.05510 Instrument**

height	2.15 m
diameter	2.00 m
width	0.40 m
weight	450 kg

**Order No. 9.06710 Sound Wall**

width	1.80 m
length of sound elements	0.75–1.00 m
weight	180 kg

**Components**

**Order No. 9.05500/9.05510 Instrument**

- 1 disc
- 1 support frame

**Order No. 9.05500**  
tuned to a pentatonic scale

**Order No 9.05510**  
tuned to a diatonic scale

Also available for wall attachment.

**Order No. 9.06710 Sound Wall**

1 sound wall with 9 notes for attachment

The sound wall is also available with stand posts for in-situ concrete.

**Order No 9.06720.**

**Installation information**

Surfacing  
no requirements

**Attention:**

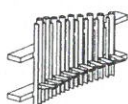
**Exact measurements may vary; for all installation dimensions refer to current assembly instructions.**

Technical changes reserved.

safety check according to EN 1176



9.05500/9.05510



9.06710

scale 1:50

For more detailed explanation of the quality characteristics see price list.



**Function and Play value**

The Kling Klang Disc is a play offer for people of all age groups. By turning of the disc, the spheres start moving and touch the obstacles inside, thus producing an amiable kling klang sound. It is not only fun to discover the different nuances of sound, but also to observe the way of the rolling spheres. The Kling Klang Disc is available for wall attachment or with support post.

**Fundamental characteristics**

- unique and original
- pleasant design
- visual and aural experience
- incentive for playing: turning disc, spheres, curiosity
- experience: sounds, cause and effect

**Suitable**

- for all age groups from 4 years
- for public playgrounds
- public places (i.e. pedestrian areas, waiting areas of stations and bus stations, courtyards)
- therapy gardens (i.e. in institutions for people with special needs, rehab clinics, retirement homes)
- public and office buildings
- parks

**Barrier-free**

- independent play



The pictures show Order No. 9.08500 with support post

**Kling Klang Disc for wall attachment  
Kling Klang Disc with support post**



Acoustic effect	soft
Vandalism	not vulnerable

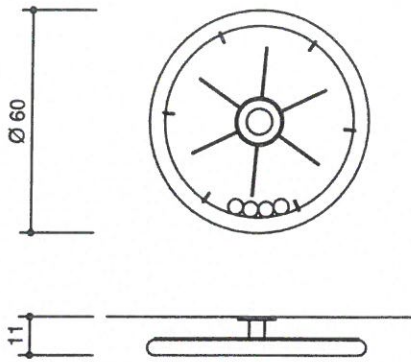


9.08000/9.08500

Copyright © Richter Spielgeräte GmbH 09/17

Design G. Beltzig

**Order No. 9.08000 Kling Klang Disc**  
for wall attachment



**Technical information**

Sound disc of stainless steel, glass bead blasted

transparent cover disc of Makrolon

spheres of hard plastic

support post of **Order No. 9.08500**  
of stainless steel, glass bead blasted



**ball bearing**

low-maintenance ball bearings



**Dimensions**

(small deviations possible)

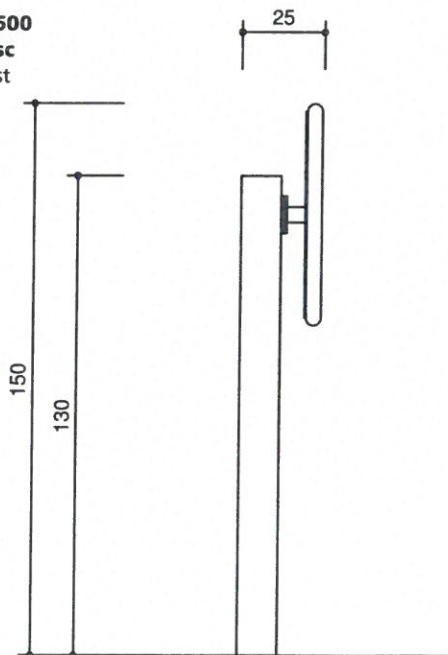
**Order No. 9.08000**

diameter	0.60 m
depth	0.11 m
weight	30 kg

**Order No. 9.08500**

diameter	0.60 m
depth	0.25 m
height of support post	1.30 m
weight	100 kg

**Order No. 9.08500**  
**Kling Klang Disc**  
with support post



Maßstab 1:20

Safety check according to EN 1176

**Components**

**Order No. 9.08000 Kling Klang Disc**  
for wall attachment  
1 Kling Klang Disc

**Order No. 9.08500 Kling Klang Disc**  
with support post  
1 Kling Klang Disc  
1 support post

**Installation information**

Recommended space  
diameter 1.50 m

Foundations  
**Order No. 9.08500 Kling Klang Disc**  
with support post  
1 item 50 x 50 x 40 cm  
excavation depth 60 cm

**Attention:**

**Exact measurements may vary, for**  
**all installation dimensions refer to**  
**current installation instructions.**

Technical changes reserved.

Weitere Erläuterungen zu den  
Qualitätsmerkmalen siehe Preisliste.

